

RNH

- ▶ 8.0*3.8*2.5mm, 4P
- ▶ 32.768KHz 晶体,
- ▶ 高精度的频率, 稳定性更好
- ▶ 符合 RoHS、Reach 认证标准, 绿色环保



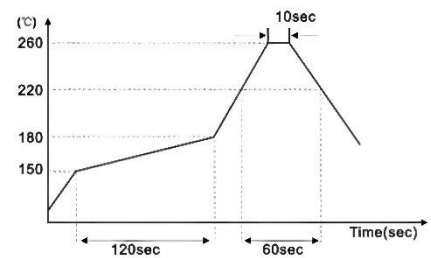
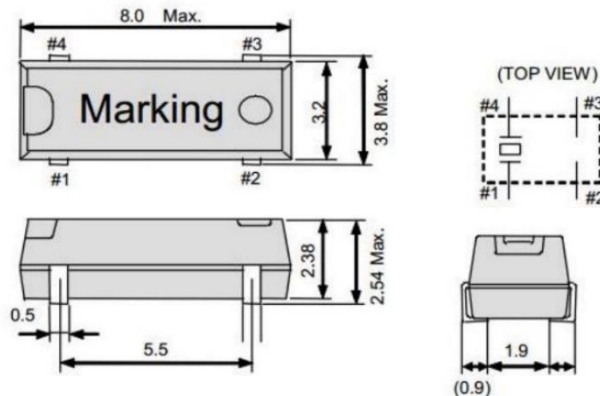
技术参数 Technical Parameter

频率范围	Frequency Range	30 ~ 90KHz
振动模式	Mode	FUND
频率偏差	Frequency Deviation	±10ppm ~ ±30ppm
频率温度系数	Parabolic curvature constant	-0.04ppm / (°C) Maximum
工作温度范围	Operating Temperature Range	-40°C ~ +85°C
储存温度范围	Storage temperature Range	-40°C ~ +85°C
老化率	Aging Rate	±3ppm / year
负载电容	Load Capacitance	7PF,9PF,12PF
静电容	Static Capacitance	<2pf
谐振电阻	Resonance Resistance	50KΩ MAX
激励电平	Drive Level	1.0μW(2.0μW MAX)

谐振电阻 Resonance Resistance

频率范围	谐振电阻

外观尺寸 Dimension(Unit:mm)



Solder melting point: 220°C
Total time: 200sec Max